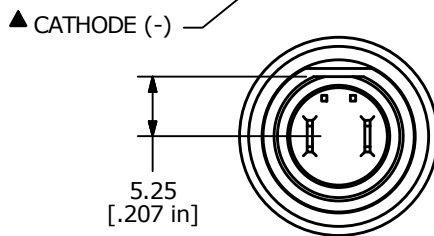
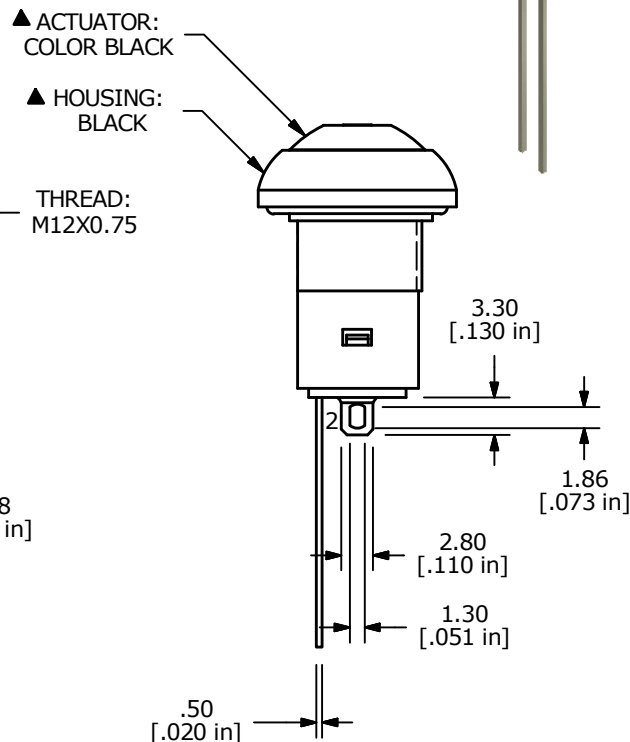
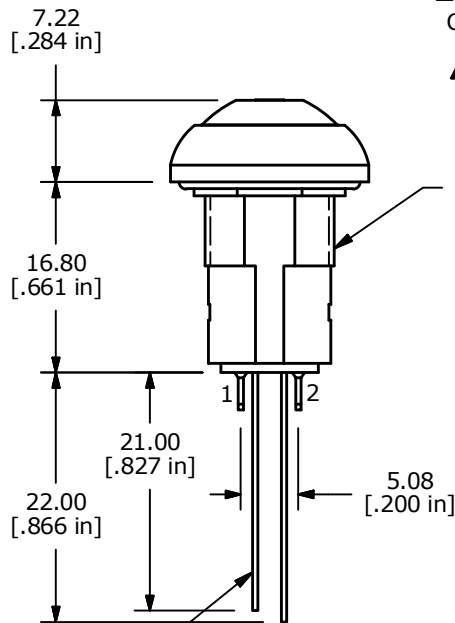


LED PARAMETER	FORWARD CURRENT	FORWARD VOLTAGE @ 20mA	LUMINOUS INTENSITY
UNITS	mA	V	mcd
BLUE	20	3.1 - 3.6	580

NOTE:

1. ALL DIMENSIONS IN MM [INCH]
2. GENERAL TOLERANCE: X.X=±0.4
X.XX=±0.25
3. TERMINAL NUMBERS FOR REF ONLY
4. CIRCUIT: SPST OFF-ON (LATCHING)
5. CONTACT MATERIAL: Gold over SILVER
6. RATING: 100mA @ 24 VDC
7. ELECTRIC LIFE: 200,000 CYCLES AT FULL LOAD
8. CONTACT RESISTANCE: 100 milli-OHM max. (INITIAL)
9. INSULATION RESISTANCE: 1,000 MEGA-OHM min. @ 500VDC.
10. DIELECTRIC STRENGTH: 1,000 VAC rms.
- ▲ 11. OPERATING FORCE: 350 gf ±150 gf
12. OPERATING TEMPERATURE: -30°C TO +85°C.
13. CONTACT BOUNCE: 10ms MAX.
- ▲ 14. TRAVEL: 2.5mm ±0.25mm
15. PANEL THICKNESS RANGE: 1.5 - 4.0 mm.
16. ▲ DENOTES CRITICAL PARAMETER.
17. 2011/65/EU (ROHS) COMPLIANT
18. MAX MOUNTING TORQUE: 1.5 Nm APPLIED TO THE NUT
19. HARDWARE INCLUDED:
 1. T081101 LOCK WASHER (1)
 2. T081102 HEX NUT (1)
 3. T081103 O-RING (1)
20. SEAL RATING: IP67 AT THE FRONT PANEL



E	22455	UPDATED OPER. FORCE FROM 560 TO 350	8/17/16	MJR
D	21597	CHANGE SEAL RATING FROM IP65 TO IP67	9/29/14	EBP
REV	PCR NO	DESCRIPTION	DATE	BY

TITLE RP8200B2M1CEBLKBLKBLU				
SCALE 3:2	DATE 6/7/2010	DR rc	DWG ST082006	REV E

THE INFORMATION CONTAINED IN THIS DOCUMENT IS PROPRIETARY TO E-SWITCH AND IS NOT TO BE COPIED OR TRANSFERRED